

Port of Bilbao

# **CRUISE TERMINALS**

*Welcome on board*

Bilbao  
PORT **B**



# *A star destination*

**Nominated the best European City 2018 by the prestigious Urbanism Awards, Bilbao offers a unique experience that awakens its visitors' senses.**

**Its incredible urban transformation, spectacular architecture, cultural offer, shopping and leisure, the richness of its gastronomy (from the typical delicious "pintxo" to the exquisite Michelin-starred restaurants) ... all of this and much more, make Bilbao an outstanding tourist destination.**





A unique place thanks to its location and tourist offer, with three berths on two terminals providing everything necessary for a call all cruises cannot miss.

To become one of the reference cruise tourism sector ports in the Atlantic Arc: that is one of the goals of the Port of Bilbao.











# THREE BERTHS, TWO TERMINALS AND AN AFFECTIONATE WELCOME



Maritime  
Terminal

"Olatua"  
Maritime  
Terminal

Getxo Berth 2

Getxo Berth 1

Getxo Berth 3



# GETXO 1 & GETXO 2

## EVERYTHING FOR SAFE AND EFFICIENT SERVICE

Berthing Line:  
Getxo 1  
**366 m**

Berthing Line:  
Getxo 2  
**318 m**

Surface:  
**6.750 m<sup>2</sup>**  
1,700 m<sup>2</sup> maritime  
passenger terminal



Depths:  
**12 m**

3 gangways **12 m** long

**1 m** wide

1 gangways **10 m** long

**0,85 m** wide

Equipment and vessel services:



Fuel and provisions supply,  
waste collection.



Forklift and  
baggage trolley.

Height of the quay above the chart datum **7.25 m**

## PASSANGER TERMINAL LOCATION:

Muelle Arriluze S/N Getxo 48992 (Bizkaia) GPS: 43.339182 – 3.021255

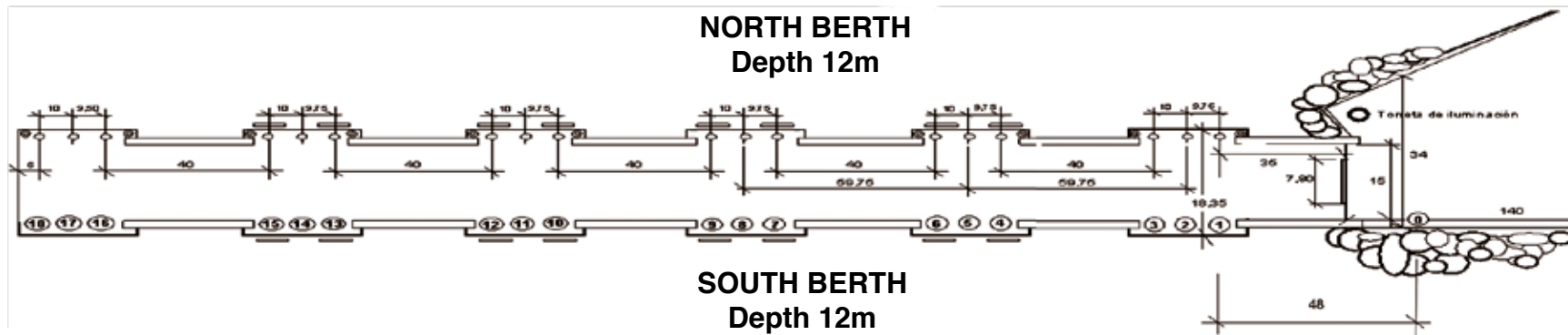
# DISTANCE BETWEEN BOLLARDS

GETXO 2 QUAY (318m.)

	1	2	3	4	5	6	7	8	9	10	11	12	13	14	15	16	17	18	
18	318	309	299	289	279	269	259	249	239	199	189	179	169	159	149	139	129	119	109
17	308	299	289	279	269	259	249	239	199	189	179	169	159	149	139	129	119	109	99
16	299	289	279	269	259	249	239	219	179	170	160	150	140	130	120	110	100	90	80
15	289	279	269	259	249	239	219	179	170	160	150	140	130	120	110	100	90	80	70
14	279	269	259	249	239	219	179	170	160	150	140	130	120	110	100	90	80	70	60
13	269	259	249	239	219	179	170	160	150	140	130	120	110	100	90	80	70	60	50
12	259	249	239	219	179	170	160	150	140	130	120	110	100	90	80	70	60	50	40
11	249	239	219	179	170	160	150	140	130	120	110	100	90	80	70	60	50	40	30
10	239	219	179	170	160	150	140	130	120	110	100	90	80	70	60	50	40	30	20
9	229	219	179	170	160	150	140	130	120	110	100	90	80	70	60	50	40	30	20
8	219	179	170	160	150	140	130	120	110	100	90	80	70	60	50	40	30	20	10
7	209	179	170	160	150	140	130	120	110	100	90	80	70	60	50	40	30	20	10
6	199	179	170	160	150	140	130	120	110	100	90	80	70	60	50	40	30	20	10
5	189	179	170	160	150	140	130	120	110	100	90	80	70	60	50	40	30	20	10
4	179	170	160	150	140	130	120	110	100	90	80	70	60	50	40	30	20	10	0
3	169	160	150	140	130	120	110	100	90	80	70	60	50	40	30	20	10	0	0
2	159	150	140	130	120	110	100	90	80	70	60	50	40	30	20	10	0	0	0
1	149	140	130	120	110	100	90	80	70	60	50	40	30	20	10	0	0	0	0

GETXO 1 QUAY (366m.)

	0	1	2	3	4	5	6	7	8	9	10	11	12	13	14	15	16	17	18	
18	366	356	346	336	326	316	306	296	286	276	266	256	246	236	226	216	206	196	186	176
17	356	346	336	326	316	306	296	286	276	266	256	246	236	226	216	206	196	186	176	166
16	346	336	326	316	306	296	286	276	266	256	246	236	226	216	206	196	186	176	166	156
15	336	326	316	306	296	286	276	266	256	246	236	226	216	206	196	186	176	166	156	146
14	326	316	306	296	286	276	266	256	246	236	226	216	206	196	186	176	166	156	146	136
13	316	306	296	286	276	266	256	246	236	226	216	206	196	186	176	166	156	146	136	126
12	306	296	286	276	266	256	246	236	226	216	206	196	186	176	166	156	146	136	126	116
11	296	286	276	266	256	246	236	226	216	206	196	186	176	166	156	146	136	126	116	106
10	286	276	266	256	246	236	226	216	206	196	186	176	166	156	146	136	126	116	106	96
9	276	266	256	246	236	226	216	206	196	186	176	166	156	146	136	126	116	106	96	86
8	266	256	246	236	226	216	206	196	186	176	166	156	146	136	126	116	106	96	86	76
7	256	246	236	226	216	206	196	186	176	166	156	146	136	126	116	106	96	86	76	66
6	246	236	226	216	206	196	186	176	166	156	146	136	126	116	106	96	86	76	66	56
5	236	226	216	206	196	186	176	166	156	146	136	126	116	106	96	86	76	66	56	46
4	226	216	206	196	186	176	166	156	146	136	126	116	106	96	86	76	66	56	46	36
3	216	206	196	186	176	166	156	146	136	126	116	106	96	86	76	66	56	46	36	26
2	206	196	186	176	166	156	146	136	126	116	106	96	86	76	66	56	46	36	26	16
1	196	186	176	166	156	146	136	126	116	106	96	86	76	66	56	46	36	26	16	6
0	186	176	166	156	146	136	126	116	106	96	86	76	66	56	46	36	26	16	6	0

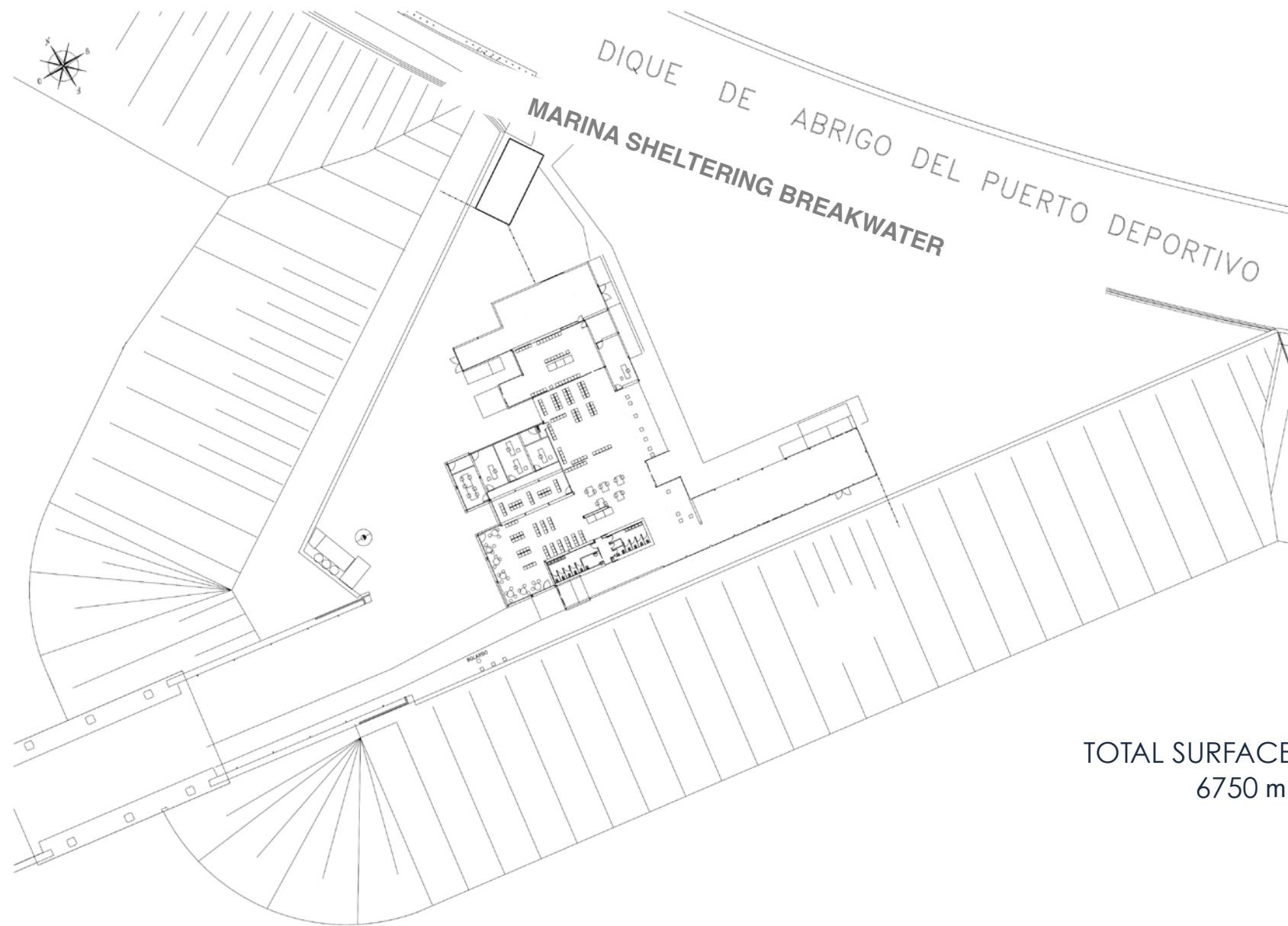


**Quay resistance**  
Trucks: 40 tonnes max. (road transit)  
Tow trucks: 60 tonnes max.  
Special loads: consult  
Bollard resistance: 200 tonnes

**Location:**  
Longitude: 43° 20.3N  
Latitude: 3° 01.5W



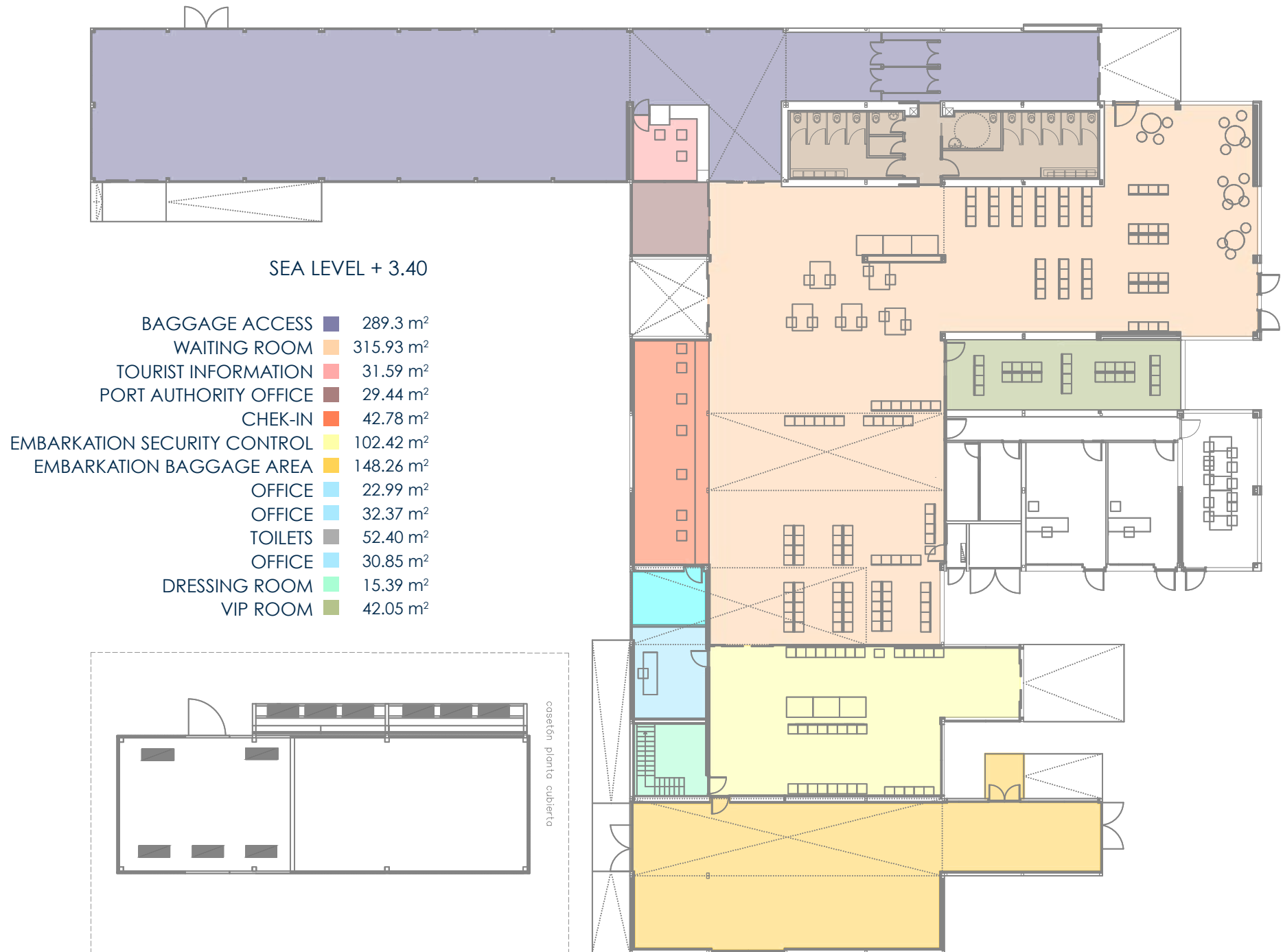
# PASSENGER TERMINAL AND ADJACENT SURFACE



TOTAL SURFACE:  
6750 m<sup>2</sup>



# PASSENGER TERMINAL BUILDING





# SERVICES

## GETXO 1 & 2



Passenger control desk



Waiting area with WIFI access



Luggage trolleys



Wheelchairs



Tourist Information desk



Air-conditioned building



Drinks machine and water fountain



Shopping and catering area next to Berth



Tourist bus parking area



Taxis, buses and car hire



# SECURITY

GETXO 1 & 2



4 hand-held metal detectors



PA system



CCTV cameras



Fenced area



Automatic fire-detection sensors



2 scanner gates



2 hand baggage scanners, 1 for suitcases, and 1 mobile



Non-return gates



Anti-intrusion alarm





# GETXO 3



## MODERN AND FUNCTIONAL

Berthing Line:  
**355 m**

Surface:  
**27,413 m<sup>2</sup>**  
3,200 m<sup>2</sup> Passenger Terminal

### FINGER

169m long adaptable to all tide levels, and embarkation door height of any vessel.



Depth:  
**12 m**

3 gangways **12 m** long **1 m** wide  
1 gangway **10 m** long **0,85 m** wide

#### Vessel services:



Fuel and water supplies,  
waste collection



Forklift and  
baggage trolleys

Height of the quay above the chart datum **7.25 m**

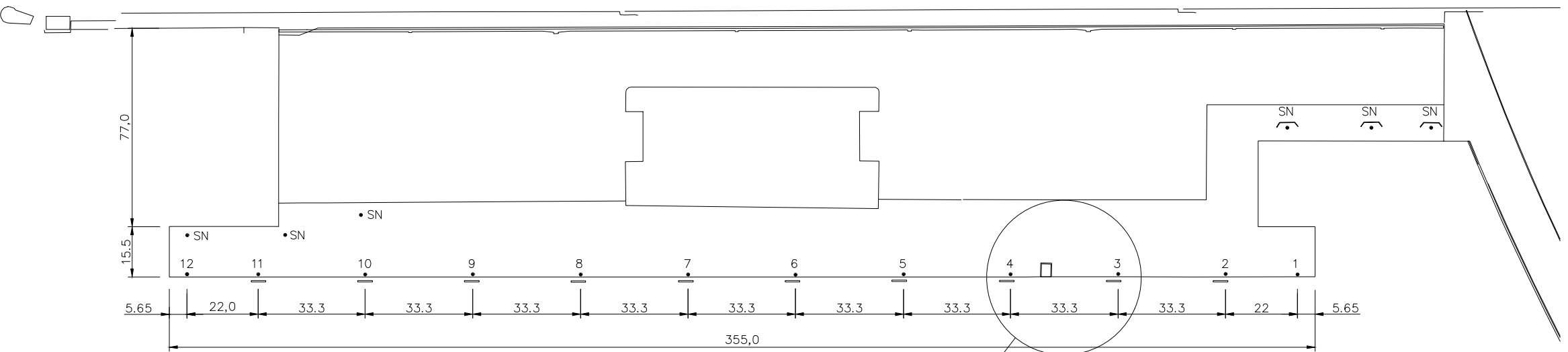
#### PASSANGER TERMINAL LOCATION:

MUELLE ARRILUZE S/N GETXO 48992 (BIZKAIA) GPS: 43.341218 – 3.025004





# DISTANCE BETWEEN BOLLARDS





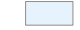
**Quay resistance**  
 Bollard 1-12: 100 tons  
 Bollard SN: 200 tons

EQUIPMENT AND SUPPLIES

# PASSENGER TERMINAL AND ADJACENT AREA

25,872.45 sq.m

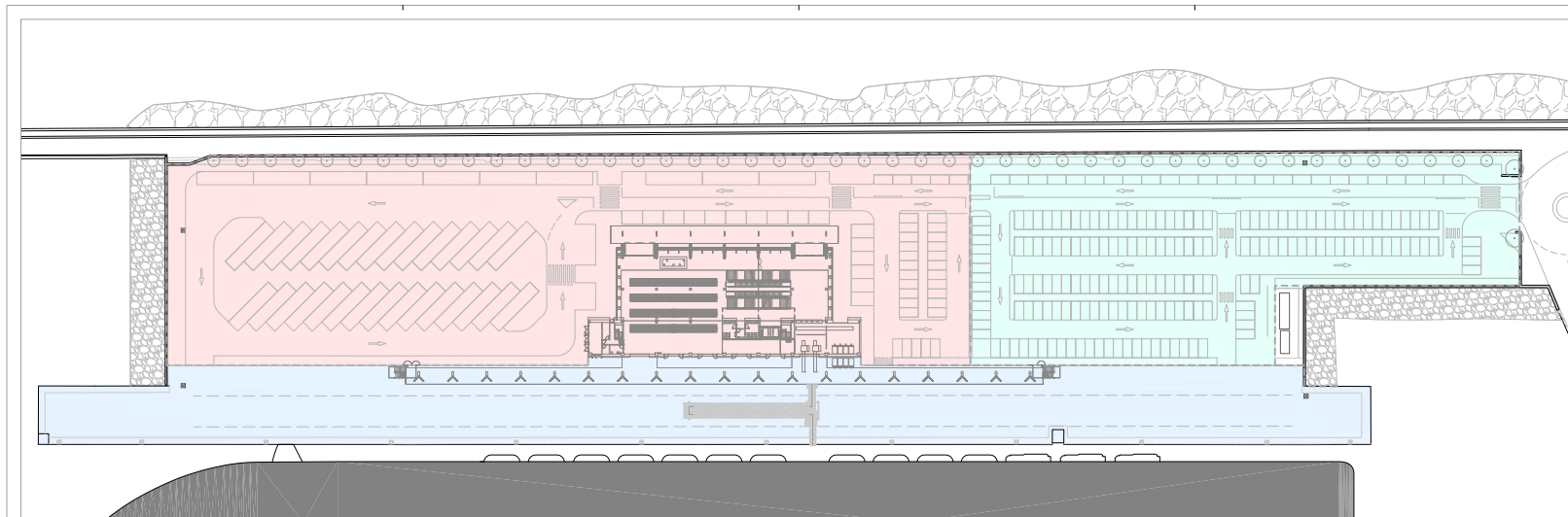
## BUILT AREA

	Only Port Authority (restricted area)	11.764,76 m <sup>2</sup>
	Port Authority and Getxo Council	6.818,51 m <sup>2</sup>
	Dockers area	7.289,13 m <sup>2</sup>

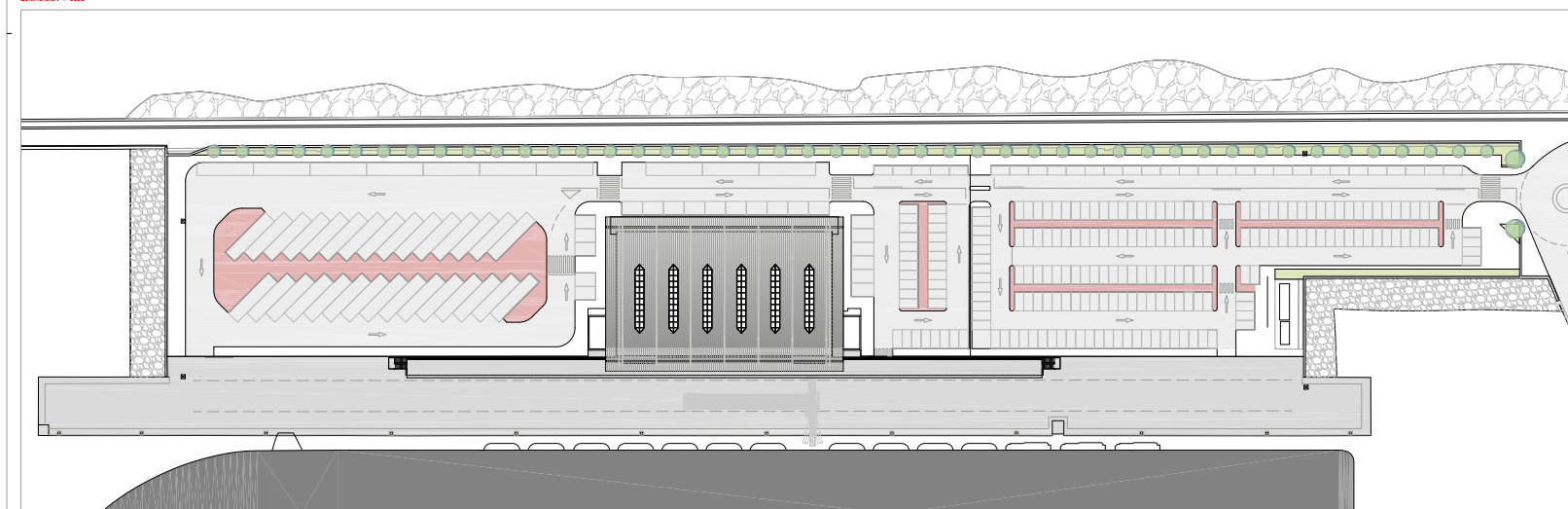
## TERMINAL SURFACE

### FASE 1

Ground floor	1.773,74 m <sup>2</sup>
Mezzanine	575,84 m <sup>2</sup>
First floor	1.192,50 m <sup>2</sup>
<b>Total</b>	<b>3.542,06 m<sup>2</sup></b>



ZONIFICACION Y USOS



ORDENACION GENERAL

ESTACION MARITIMA EN EL MUELLE ADOSADO AL CONTRADIQUE DE ALGORITA (BIZKAIA)  
PROYECTO DE EJECUCION



APPS  
AUTORIDAD PORTUARIA DE BILBAO

ESTUDIO DE TRES

ORDENACION GENERAL DE LA PARCELA-ZONIFICACION GENERAL Y USOS

1/500

0m 10m 20m

AL 1/500  
AL 1/1000  
2015na EDANA  
JUNIO 2015

G.02.02



# “OLATUA” PASSENGER TERMINAL

---





BAGGAGE

# SERVICES

GETXO 3



Passenger control desk



Waiting area with WIFI access



Reception Hall. Baggage check-in and collection



Luggage trolleys



Wheelchairs



Tourist Information desk



Air-conditioned building



Drinks machine and water fountain



Shopping and catering area next to Berth



Tourist bus parking area



Taxis, buses and car hire



VIP ROOM



# SECURITY

GETXO 3



4 scanner gates, 2 on each floor



Automatic fire-detection sensors



3 manual scanners, 1 for suitcases on ground floor, and 2 on first floor



Anti-intrusion alarm



2 hand-held metal detectors



PA system



CCTV cameras



Fenced area



# “OLATUA” PASSENGER TERMINAL

## GROUND FLOOR PLANS

### GROUND FLOOR PLANS + 0.00

#### EMBARKATION AREA

A.1.1	EMBARKATION ACCESS	
A.1.2	WAITING ROOM	24.16 M <sup>2</sup>
A.1.3	CHECK IN AND BAGGAGE CONTROL	257.03 M <sup>2</sup>
A.1.4	STAIRS TO EMBARKATION	154.54 M <sup>2</sup>
A.1.5	EMBARKATION LIFT	25.55 M <sup>2</sup>
A.1.6	TOILETS HALL	37.11 M <sup>2</sup>
A.1.7	LADIES' TOILET	31.38 M <sup>2</sup>
A.1.8	MEN'S TOILETS	16.48 M <sup>2</sup>
A.1.9	SPECIALY ADAPTED TOILETS	16.13 M <sup>2</sup>
		5.62 M <sup>2</sup>

#### DISEMBARKATION AREA

B.1.1	ARRIVAL DEPARTURES	24.16 M <sup>2</sup>
B.1.2	BAGGAGE CLAIM	795.68 M <sup>2</sup>
B.1.3	TOURIST INFORMATION	30.00 M <sup>2</sup>
B.1.4	STAIRS TO DISEMBARKATION	25.55 M <sup>2</sup>
B.1.5	LIFT AREA	59.25 M <sup>2</sup>
B.1.6	SPECIALY ADAPTED TOILETS	8.08 M <sup>2</sup>

#### COMMON AREA

C.1	STAIR 1	9.65 M <sup>2</sup>
C.2	STAIR 2	4.75 M <sup>2</sup>
C.3	STAIR HALL	13.79 M <sup>2</sup>
C.4	HALL	11.82 M <sup>2</sup>
C.5	SUPPLY INSTALLATION	4.56 M <sup>2</sup>
C.6	ELECTRICAL PANEL	8.53 M <sup>2</sup>
C.6	AIR CONDITIONING	28.49 M <sup>2</sup>

TOTAL USEFUL FLOOR SPACE 1,592.28 M<sup>2</sup>

TOTAL BUILT AREA 1,773.74 M<sup>2</sup>

WELCOME

καλωσόρισμα

Willkommen

EXIT

SALIDA

→

←

♿

♿

♿

♿

♿

♿

♿

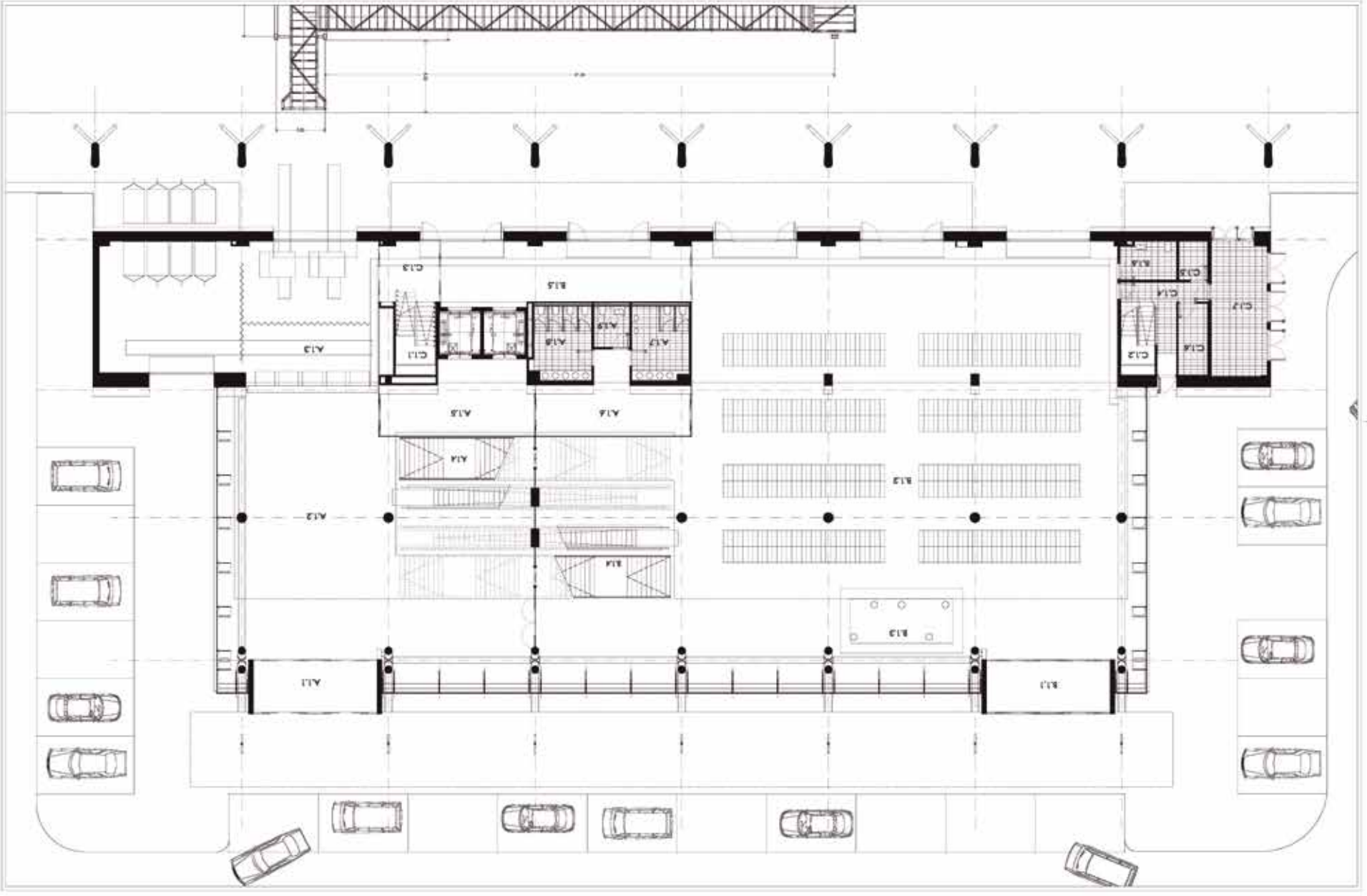
♿

♿

♿



# GROUND FLOOR



# “OLATUA” PASSENGER TERMINAL

## MEZZANINE

### MEZZANINE

C.2.1	STAIR 1	
C.2.2	STAIR 2	11.48 M <sup>2</sup>
C.2.3	HALL	3.92 M <sup>2</sup>
C.2.4	LADIES´TOILET	119.55 M <sup>2</sup>
C.2.5	MENS´TOILET	9.43 M <sup>2</sup>
C.2.6	SPECIALLY ADAPTED TOILET	9.45 M <sup>2</sup>
C.2.7	LADIES´DRESSING ROOM	5.62 M <sup>2</sup>
C.2.8	MENS´DRESSING ROOM	6.91 M <sup>2</sup>
C.2.9	OFFICES	7.12 M <sup>2</sup>
C.2.10	VIP ROOM	54.41 M <sup>2</sup>
C.2.11	OFFICE	130.54 M <sup>2</sup>
C.2.12	OFFICE	26.90 M <sup>2</sup>
C.2.13	OFFICE	27.02 M <sup>2</sup>
C.2.14	SHIPPING AGENTS´OFFICE	14.02 M <sup>2</sup>
C.2.15	SHIPPING AGENTS´DRESSING ROOM	39.32 M <sup>2</sup>
C.2.16	SERVER ROOM	7.38 M <sup>2</sup>

---

TOTAL USEFUL FLOOR SPACE	480.45 M <sup>2</sup>
--------------------------	-----------------------

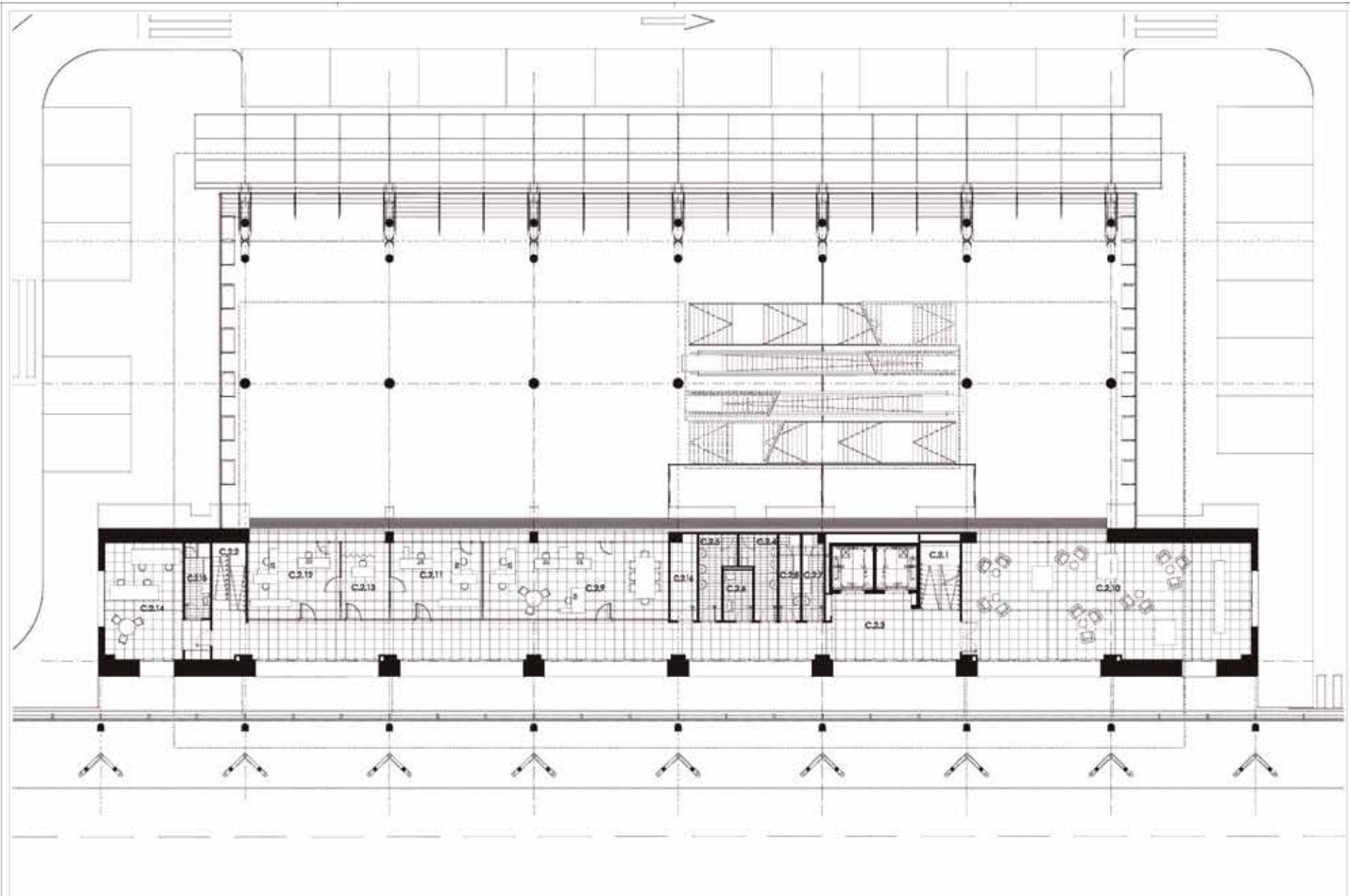
---

TOTAL BUILT AREA	575.84 M <sup>2</sup>
------------------	-----------------------

---



# MEZZANINE



# “OLATUA” PASSENGER TERMINAL

## PLAN FIRST FLOOR

PLAN FIRST FLOOR + 6.80

### EMBARKATION AREA

A.3.1	WAITING ROOM	516.83 M <sup>2</sup>
A.3.2	CHECK IN AREA	71.36 M <sup>2</sup>
A.3.3	PASSENGER EMBARKATION CONTROL AREA	47.00 M <sup>2</sup>
A.3.4	STAIRS TO EMBARKATION	25.90 M <sup>2</sup>
A.3.5	HALL	70.36 M <sup>2</sup>
A.3.6	LADIES' TOILETS	20.51 M <sup>2</sup>
A.3.7	MEN'S TOILETS	20.10 M <sup>2</sup>
A.3.8	SPECIALLY ADAPTED TOILETS	6.12 M <sup>2</sup>
A.3.9	PRE-EMBARKATION HALL	24.37 M <sup>2</sup>

### DISEMBARKATION AREA

B.3.1	DISEMBARKATION AREA	217.76 M <sup>2</sup>
B.3.2	STAIRS TO DISEMBARKATION	25.90 M <sup>2</sup>
B.3.3	HALL	62.67 M <sup>2</sup>
B.3.4	PRE-DISEMBARKATION HALL	480.45 M <sup>2</sup>

### DISEMBARKATION AREA

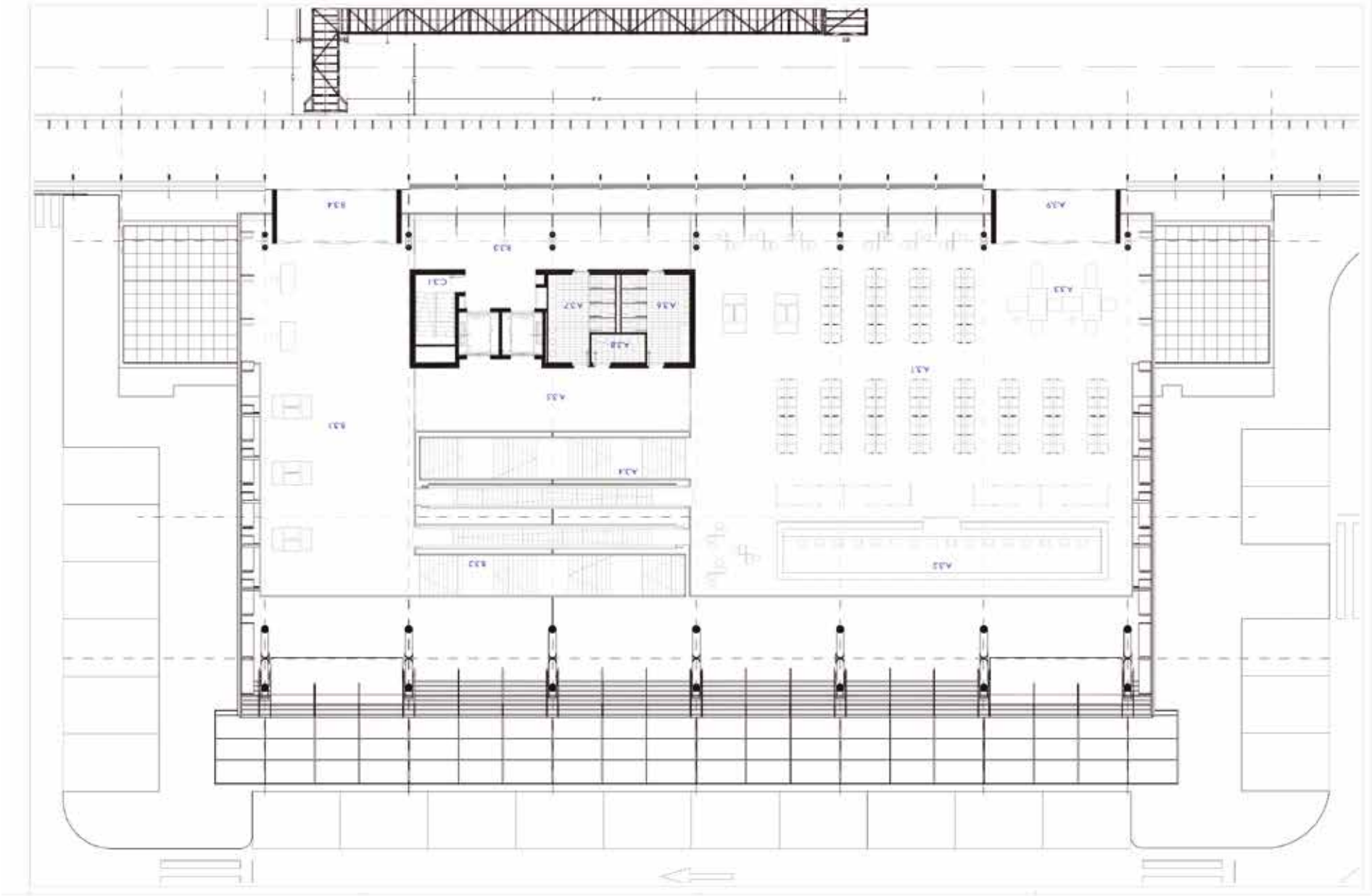
C.3.1	STAIRS	11.48 M <sup>2</sup>
-------	--------	----------------------

TOTAL USEFUL FLOOR SPACE 1144.31 M<sup>2</sup>

TOTAL BUILT AREA 1192.50 M<sup>2</sup>



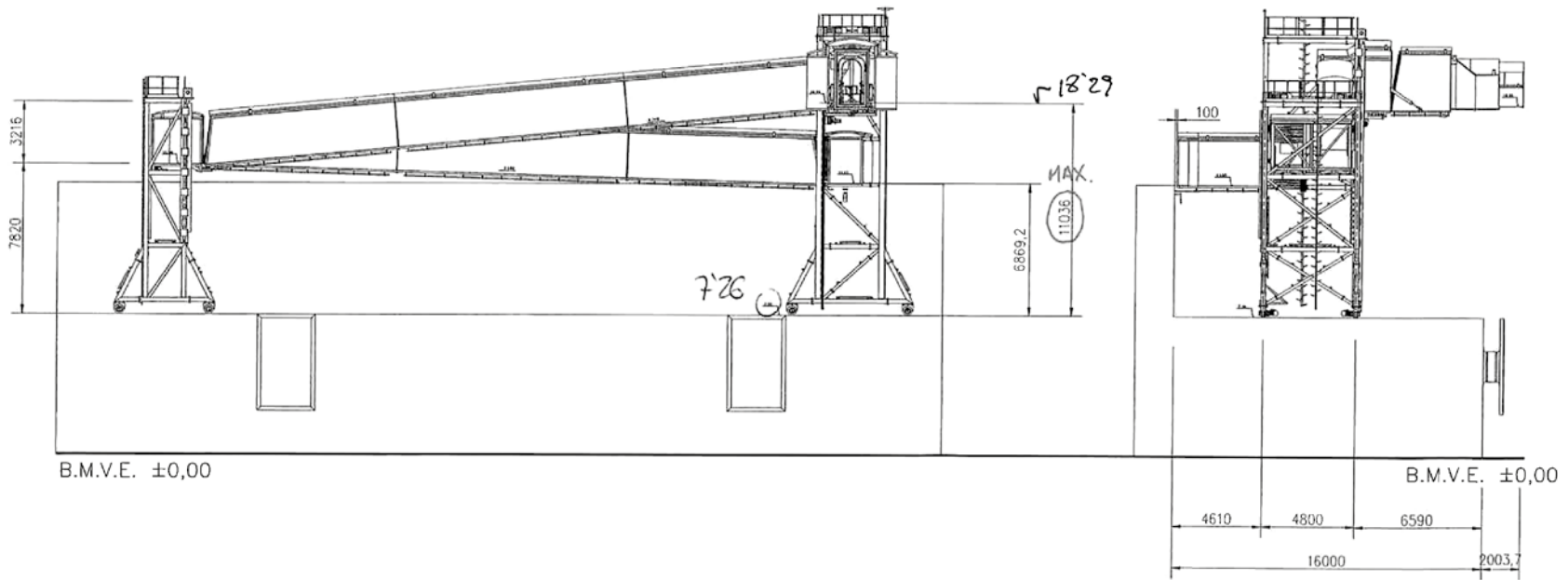
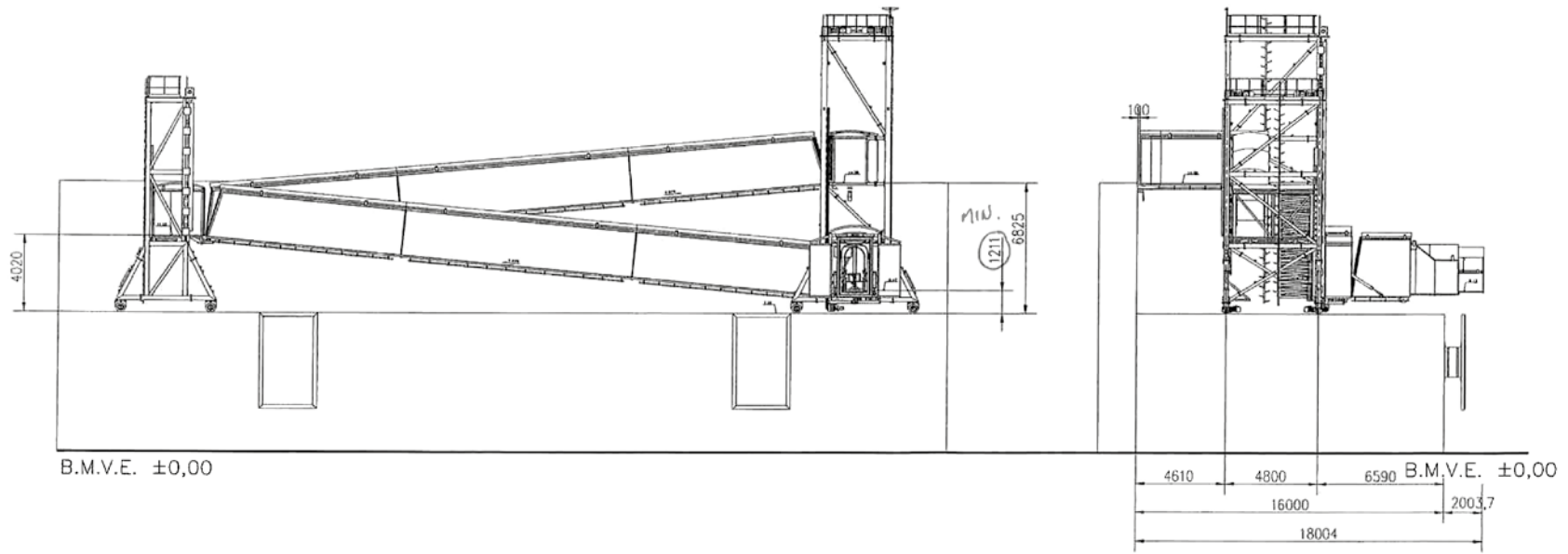
# FIRST FLOOR



# GETXO 3 FINGER





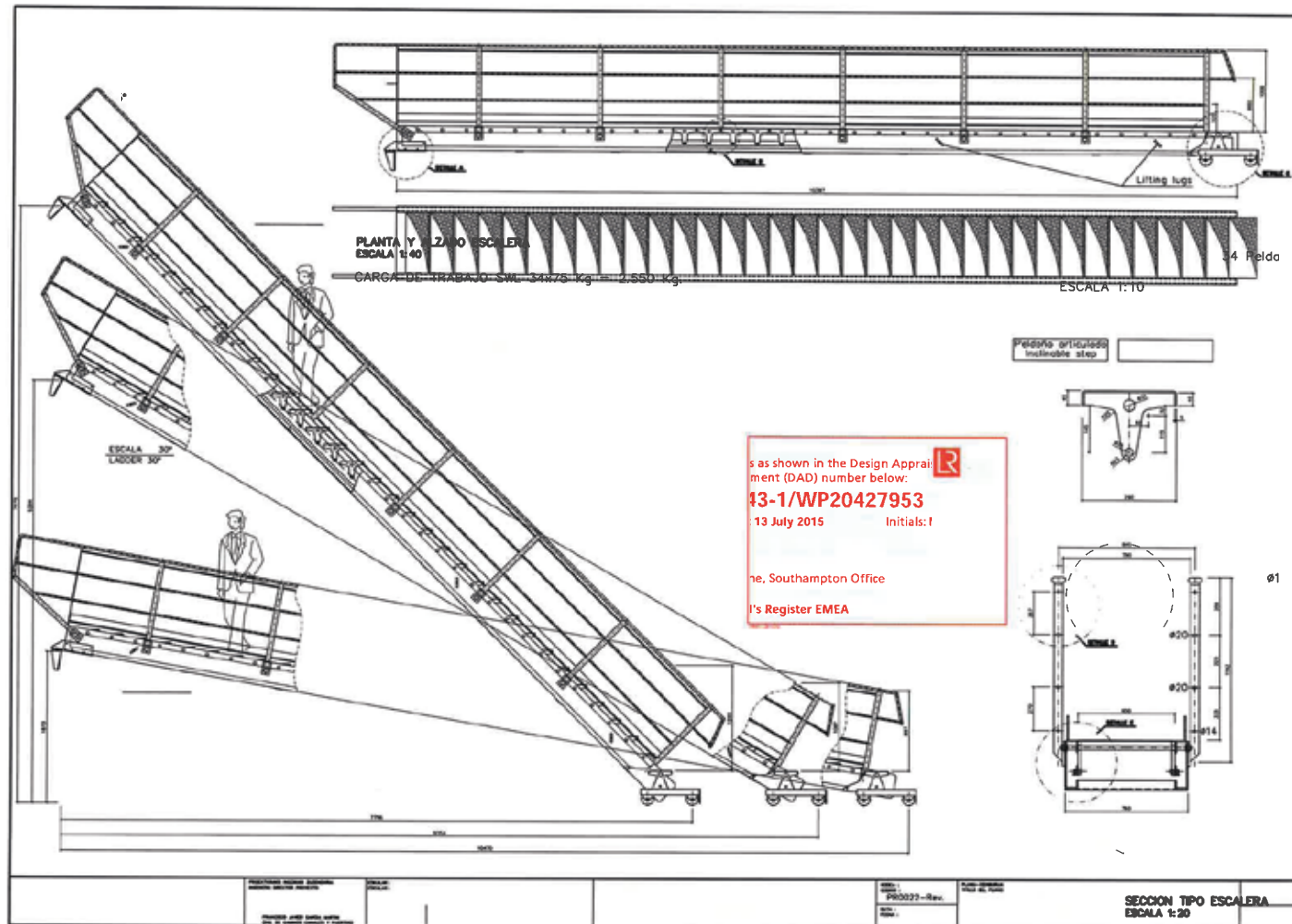


# GANGWAYS



Gangway nº1

**10 M LONG  
0.85 M WIDE**

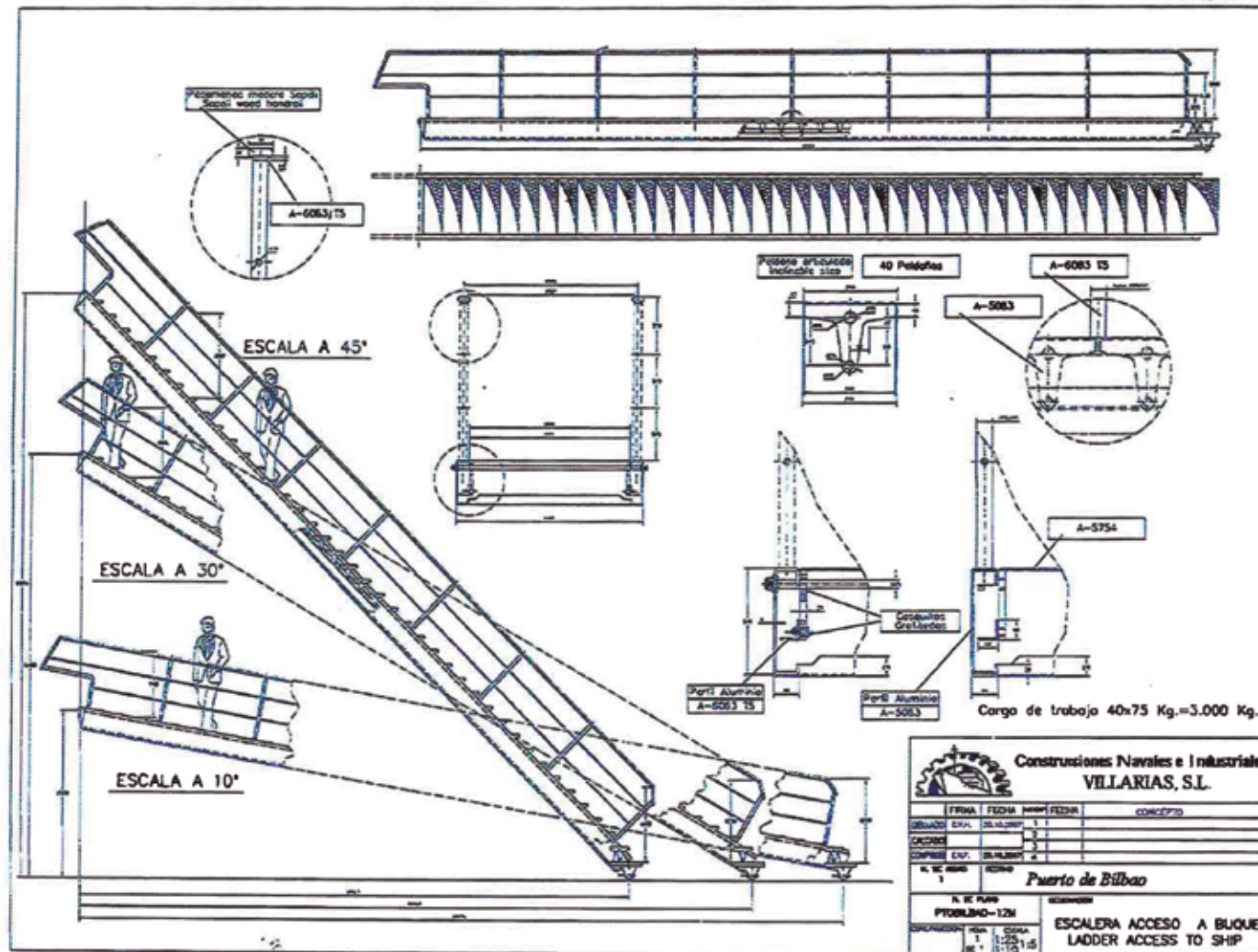






Gangway nº2

12 M LONG  
1 M WIDE



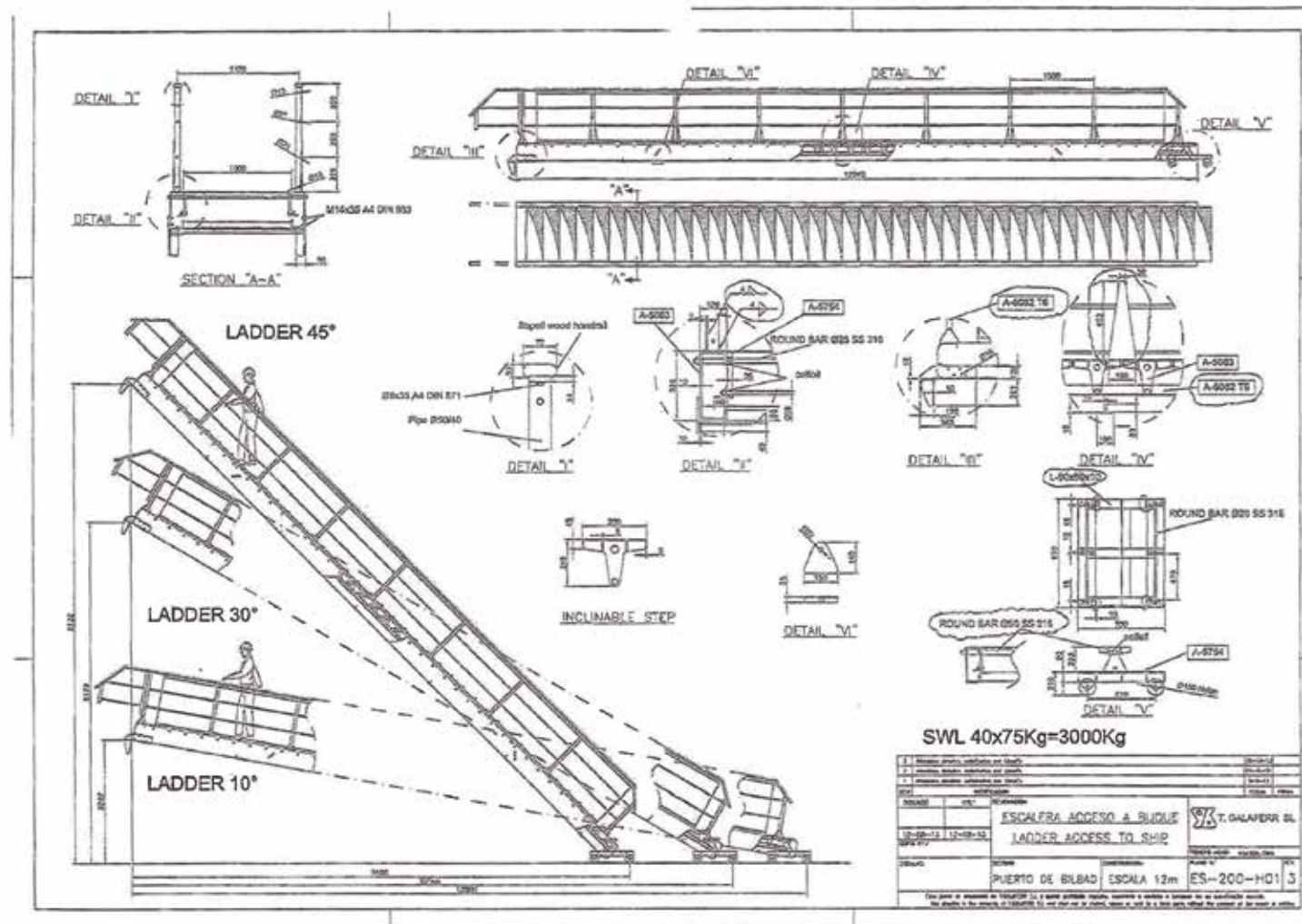






Gangway nº4

12 M LONG  
1 M WIDE



# JUST STEP DOWN THE GANGWAY

Getxo, just 12 km (8.5 miles) from Bilbao city centre, houses the Port of Bilbao cruise terminals. This coastal town offers a wide range of tourist, shopping and sports facilities as well as its excellent gastronomy.



## Bizkaibus

Tel: 902222265 [www.bizkaia.eus](http://www.bizkaia.eus)

### Lines running through Getxo

A3531 LEIOA- Hospital Urduliz-GATIKA- MUNGIA  
A2151 Las Arenas/Areeta - LARRABETZU  
A3411 BILBAO - GETXO- Azkorri  
A3414 BILBAO - GETXO (por túneles Artzanda)  
A3338 MUSKIZ - BARAKALDO - Las Arenas / Areeta  
A3451 Las Arenas/Areeta - Armintza  
A2161 Puente Colgante/Bizkaia Zubia - UPV/EHU  
A2162 Santa María Getxo/Andramari - UPV/EHU  
A3422 Las Arenas/Areeta - BERANGO (CC Artea)  
A3471 GETXO - Cruces/Gurutzeta



## Metro Bilbao

Tel: 944254025 [www.metrobilbao.eus](http://www.metrobilbao.eus)  
Sundays, Thursdays: 06:00-22:30  
Fridays and holiday eves. Winter 06:00-02:00.  
Summer: 24 hours Saturdays: 24 hours

Ticket prices:

Single

**Zone 1:** De San Ignacio a Bolueta

Ticket price: 1,60 € - Barrik Card: 0.91€

**Zone 2:** De Berango a Lutxana, de Cruces

a Kabiezes, y de Etxebarri a Basauri

Ticket price: 1.80€ - Barrik Card 1.08€

**Zone 3:** De Larrabasterra a Plentzia

Ticket price: 1.90€ - Barrik Card: 1.19€



## By car:

Follow N-637 direction Getxo. Once in Getxo, go towards Puerto Deportivo, where the Cruise Terminal is located.

Parking:

Adress: C/ Las Mercedes S/N.

Tel: 944801866

E-mail: [saba.mkdigital@gmail.com](mailto:saba.mkdigital@gmail.com)

## Taxi

Tel: 944915353

## Getxo Tourist Office

Tel: 944910800



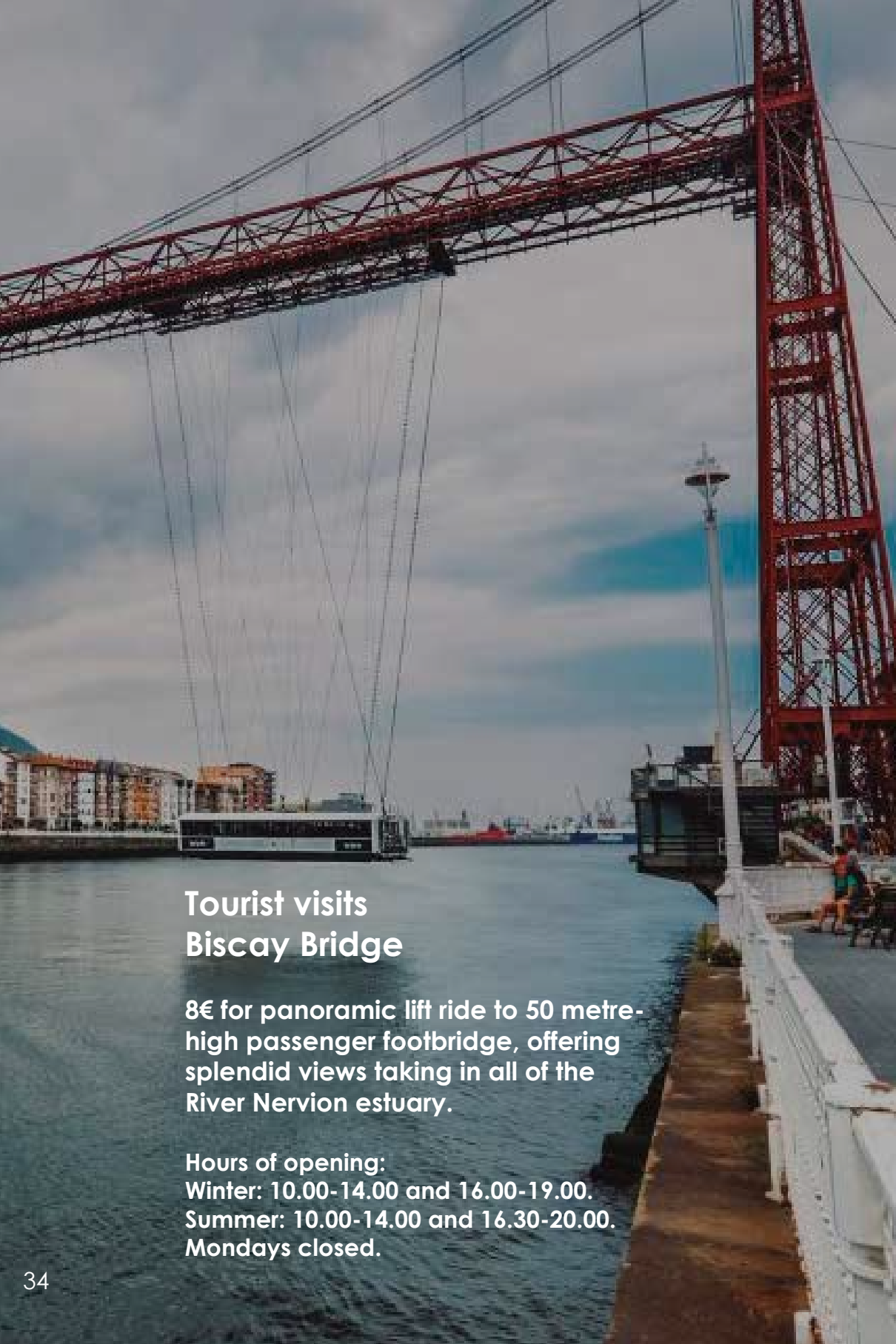
# AN INTERNATIONAL AIRPORT

The Airport of Bilbao is 12 kilometres from the city centre and is the most important one on the Bay of Biscay. It is used by 5 million passengers and offers over 33 destinations.

For updated information see [www.aena.es](http://www.aena.es)



—+— AUTOPISTA  
— METRO



## Tourist visits Biscay Bridge

8€ for panoramic lift ride to 50 metre-high passenger footbridge, offering splendid views taking in all of the River Nervion estuary.

Hours of opening:  
Winter: 10.00-14.00 and 16.00-19.00.  
Summer: 10.00-14.00 and 16.30-20.00.  
Mondays closed.

## Tourist visits Getxo Taxi Tour

Two routes:

- Monumental Coast (20€ taxi, 20-minute trip)
- Full Getxo Tour(35€ taxi, 60-minute trip)

Languages: Spanish, Basque, English and French







**Panoramic lift view  
of Ereaga Beach**

June-September, Sunday – Thursday, 9.00-23.00 hours. Fridays, Saturdays and holiday eves, and San Ignacio festivities 9.00- 00.30 hours. Rest of year 9.30-23.00 hours except 24 and 31 December, 9.00-18.00 hours. 1 December and 1 January 10.00 -21 hours.  
Ticket: 0.20€



**Las Arenas-Portugalete-  
Las Arenas cross-river boat**

Monday-Friday: 05.10-22.10  
Saturday: 7.00 -22.10. Sunday:  
9.00 -22.10  
Ticket: 0.35€  
Tel: 944964703/670604744  
[www.turismoriabilbao.com](http://www.turismoriabilbao.com)



**Panoramic lift view  
of Old Port**

Free all-year round service:  
7.00-24.00 hours



**Bizkaitaxi**

Tel: 944915353 (24 hour service)



**Getxobizi Bicycle hire**

Automatic service, 13 pick-up  
and return points.  
Tel: 900840345.  
[Getxobizi.com](http://Getxobizi.com)  
Hours: Daily 7.00-22.00  
Price: 2€ whole day (telephone  
and data compulsory)



## INFORMATION

---

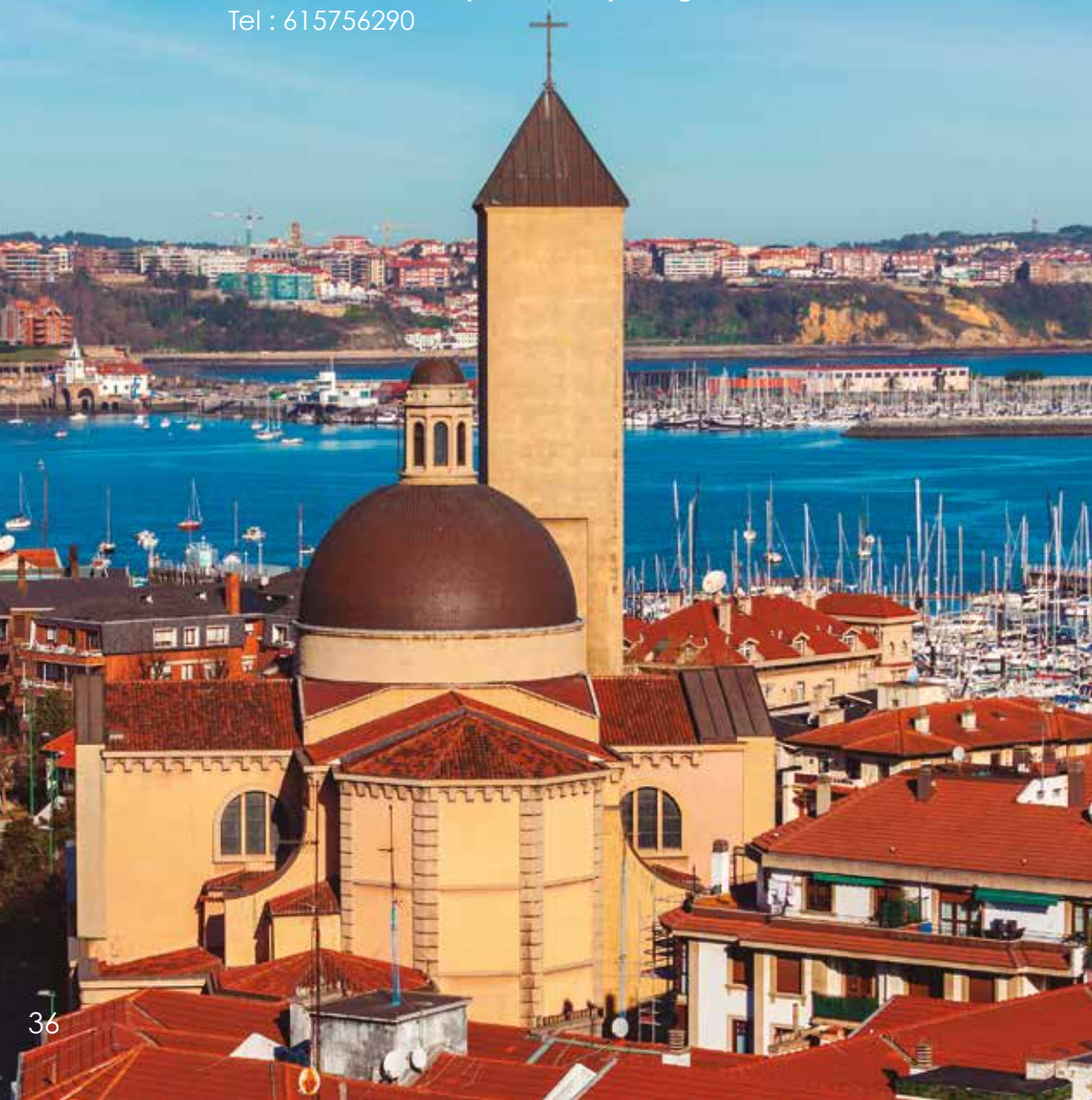
### **Getxo Tourist Office Muelle de Ereaga s/n**

infoturismo@getxo.eus

Tel: 944910800

### **Tourist information point Biscay Bridge**

Tel : 615756290



## SHOPPING

---

### **Artea Shopping Centre**

Artea Shopping Centre  
In the neighbouring town of Leioa. A variety of shops offering fashion and accessories, sports, perfumes and gifts, as well as a large supermarket and 9 cinemeas.

### **Algorta and Las Arenas:**

For those wanting more exclusive and branded goods, there are the shopping areas in Algorta and Las Arenas, where we can also pleaurably stroll.

## SPORT

---

### **Fadura Municipal Sports Centre**

A half-hour walk away in Algorta, there is an athletics track as well as tennis and paddle-tennis courts, rugby, hockey and football fields, fitness gym and open and covered swimming pools.

Daily entrance fee is 3€ (4€ including swimming pool use).



# A GATEWAY TO THE BASQUE COUNTRY



Gateway to the Basque Country and in the centre of the Atlantic Arc. Such are the Port of Bilbao Cruise Terminals, a nexus that enables Europe and the rest of the world to discover a different tourist destination, where sea and mountain, tradition and innovation, culture and gastronomy come together through a surprising equilibrium.





## DONOSTIA-SAN SEBASTIÁN

---

Elegant, romantic, home of the  
cinema festival and delicious.  
*110 km away*



## VITORIA-GASTEIZ

---

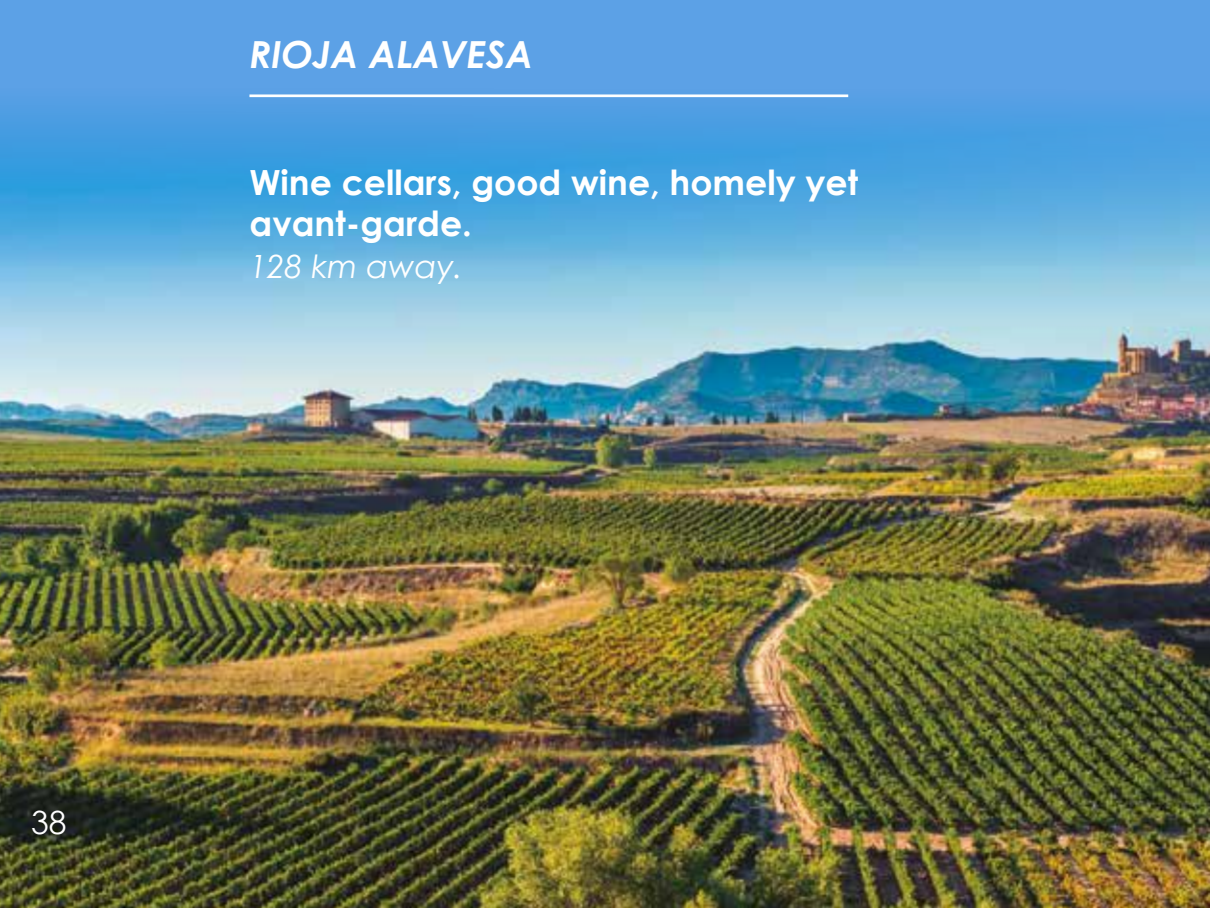
Sustainable, monumental, full  
of history.  
*76 km away.*



## RIOJA ALAVESA

---

Wine cellars, good wine, homely yet  
avant-garde.  
*128 km away.*



## COSTA VASCOFRANCESA

---

For surfers, relaxing and enchanting..  
*160 km away.*





# DIRECTORY

## PORT AUTHORITY OF BILBAO HEAD OFFICE

Edificio Oficinas Generales.  
Muelle de la Ampliación (Acceso  
Ugaldebieta)  
48980 Santurtzi - Bizkaia - Spain  
(+34) 944 871 200  
comercial@bilbaoport.eus  
www.bilbaoport.eus

## PORT AND RIVER OF BILBAO PILOTS CORPORATION

(+34) 944 960 311

## IBAIZABAL TUG COMPANY

(+34) 944 645 133

## PORT OF BILBAO MOORING COMPANY

(+34) 944 962 511

## Port of Bilbao Porters

(+34) 944 962 511

## TOURIST OFFICES

### Bilbao Tourism

(+34) 944 795 770  
www.bilbaoturismo.net

### Getxo

(+34) 944 910 800  
www.getxo.net

### Biscay Territorial Council

(+34) 946 076 604  
www.mybilbaobizkaia.com

## Autonomous Basque Government

(+34) 946 077 589  
www.turismoa.euskadi.eus

## INBOUND TOUR OPERATORS

### Bilbao Siglo XXI

(+34) 944 154 842

### Bilbao paso a paso

(+34) 944 153 892  
www.bilbaopasoapaso.com

### Itxaslehor

(+34) 946 195 861  
www.itxaslehor.com

### N.I.S., North Incoming Service

(+34) 944 255 830  
www.nis.es

### Romotur

(+34) 944 433 463  
www.romotur.com

## TRANSPORT AND COMMUNICATIONS

### International Airport of Bilbao

(+34) 902 404 704  
www.aena.es

### Taxis

944915353

### Bizkaibus

946125555

### Metro Bilbao

(+34) 944 254 025  
www.metrobilbao.net



# Bilbao PORT **B**

Port of Bilbao Authority | Autoridad Portuaria de Bilbao

[comercial@bilbaoport.es](mailto:comercial@bilbaoport.es)

+34 944 871 200

[www.bilbaoport.es](http://www.bilbaoport.es)

